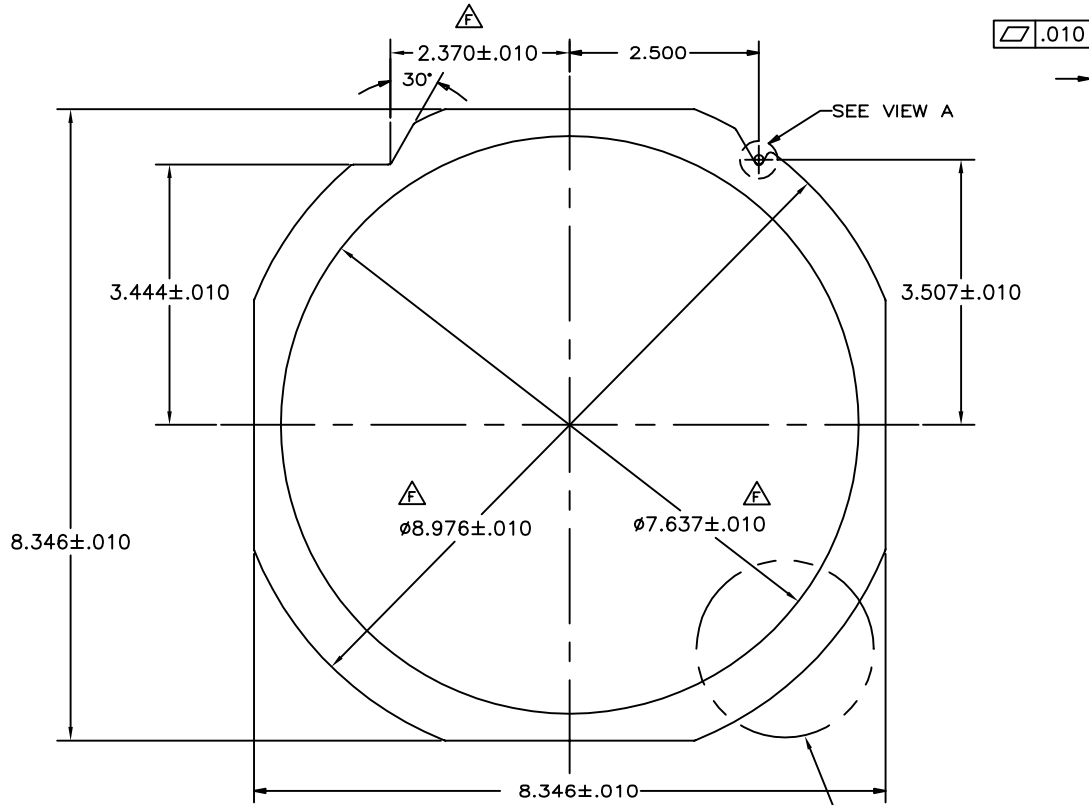
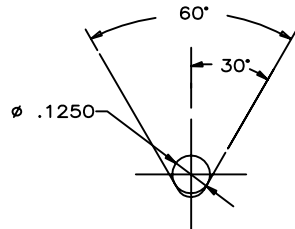
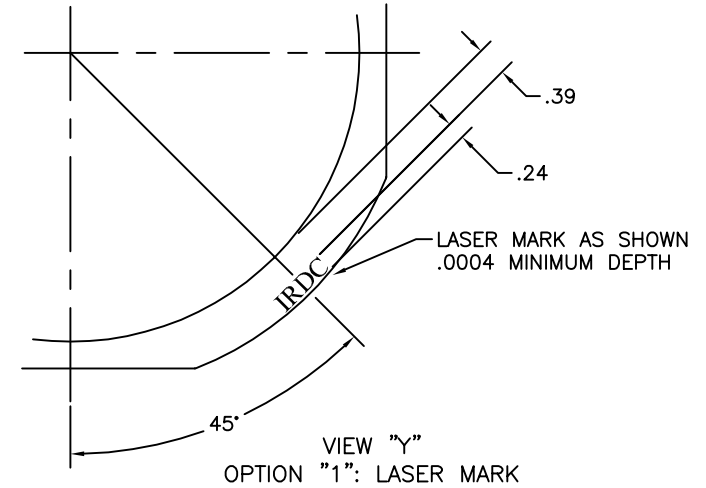


REV.	DESCRIPTION	BY	CHKD.	DATE
A	.050 WAS .049	PER		10/13/87
B	REDRAWN ON VISIONEL	WUL		07/11/90
C	MATERIAL 410 SS WAS 400 SS	JSS		04/11/91
	FLATNESS .010 WAS .030	JSS		04/11/91
D	CHANGE TOLERANCE	JSS		01/15/97
E	CHANGE TOLERANCE	EC		11/21/98
F	ADDED TOLERANCE	CDS DD		01/08/01
G	ADDED -.001 / PER CR #429	AMW AMW		02/12/01



REV	PART #	PART NAME	VIEW "Y"
	AP-16970-70	FILM FRAME	
A	AP-16970-70-001	FILM FRAME - LASER MARK	OPTION "1"



DETAIL "A"
4X SCALE

CONTROLLED COPY
 IF THIS IS IN RED
 Auer Precision
 2/12/2001

SPECIFICATIONS		TOLERANCES (INCHES) UNLESS OTHERWISE SPECIFIED.		DRAWN BY: PER		DATE: 07/27/86		AUER PRECISION CO., INC.	
REF. CARRIER/MAGAZINE NO.:	5650-12	.X	±.02	CHECKED BY:	EC	DATE:	11/21/98	1050 W. BIRCHWOOD MESA, ARIZONA 85210-8491 PH. (480) 834-4837 FAX (480) 984-8237	
REF. COVER NO.:		.XX	±.01	ENGR. APPROVAL:	JJR	DATE:	11/21/98	TITLE: FILM FRAME CHART	
MATERIAL:	410 S.S. HDN.	.XXX	±.005	REF. PART NO.		REV.		TOOL/DRAWING NO.:	
THICKNESS:	NOTED	.XXXX	±.0002	N.H.A.:		REV.		AP-16970-70	
FRAME DIMS:		.XXXXX	±.00005	CUSTOMER/REF. NO.:				TOOL/DRAWING NO.:	
PACKAGE DIMS:		ANG. TOL	±2°	PLOT DATE:	02/12/01			AP-16970-70	
		DRAWING IN ACCORDANCE WITH ANSI Y14.5M.						REV.: G	
		THIRD ANGLE PROJECTION						SIZE: B	SCALE: NTS
								SHEET: 1	OF: 1

CONFIDENTIAL
 THIS DRAWING AND ALL INFORMATION HEREIN IS THE
 EXCLUSIVE AND CONFIDENTIAL PROPERTY OF AUER
 PRECISION COMPANY. THIS DRAWING IS FURNISHED IN
 AGREEMENT THAT IT OR ANY PART THEREOF WILL NOT BE
 REPRODUCED IN ANY MANNER OR DISCLOSED TO OTHERS
 WITHOUT THE EXPRESS WRITTEN CONSENT OF AUER
 PRECISION COMPANY. ALL PATENT RIGHTS RESERVED.