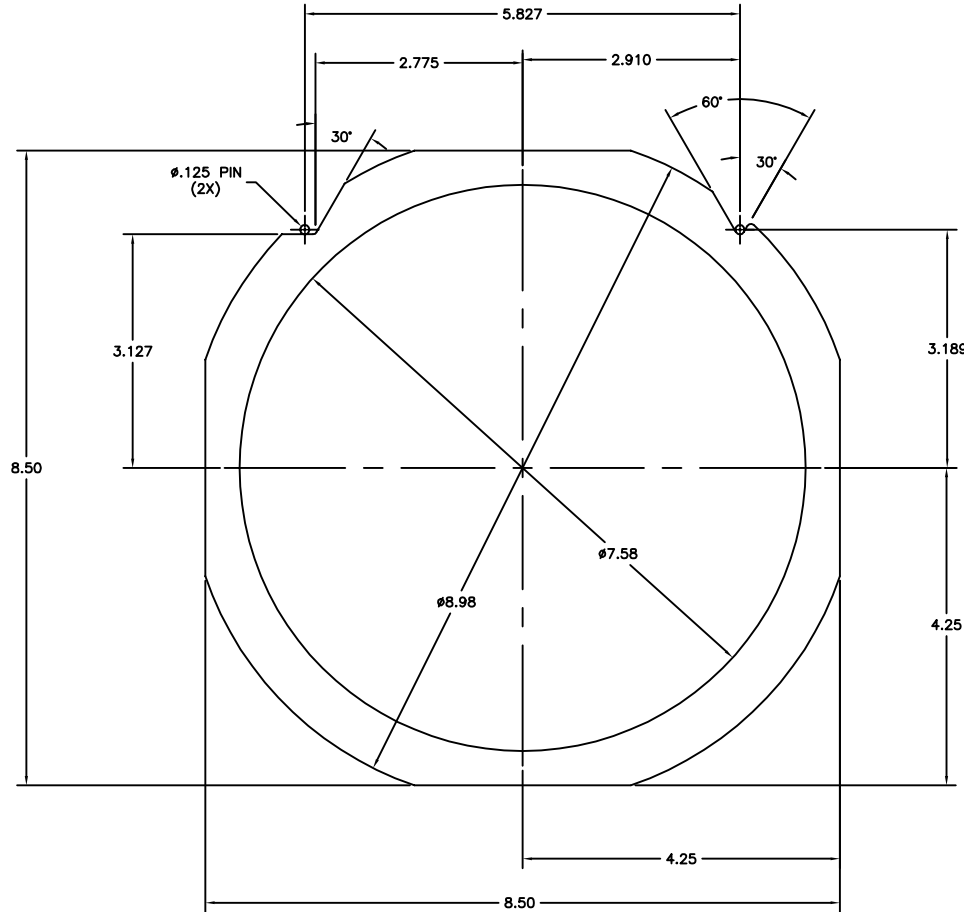


REV.	DESCRIPTION	BY	CHKD.	DATE
C	MADE CORNER RADII .055	W.J.L.		11/14/89
D	FLATNESS .010 WAS .005 & MTL 410 WAS 400 S.S.	J.S.S.		04/11/91
E	REDRAWN ON NEW FORMAT	S.S.	AMW	06/16/00



0.010

0.050±.003

ALL CORNER RADII TO BE .055 MAX
APPLY POLISHED FINISH

CONTROLLED COPY

AMW IF THIS IS IN RED
06/16/00

CONFIDENTIAL
THIS DRAWING AND ALL INFORMATION HEREIN IS THE EXCLUSIVE AND CONFIDENTIAL PROPERTY OF AUER PRECISION COMPANY. THIS DRAWING IS FURNISHED IN AGREEMENT THAT IT OR ANY PART THEREOF WILL NOT BE REPRODUCED IN ANY MANNER OR DISCLOSED TO OTHERS WITHOUT THE EXPRESS WRITTEN CONSENT OF AUER PRECISION COMPANY. ALL PATENT RIGHTS RESERVED.

SPECIFICATIONS		TOLERANCES (INCHES) UNLESS OTHERWISE SPECIFIED.		DRAWN BY: P.E.R. DATE: 11/20/84		AUER	
REF. CARRIER/MAGAZINE NO.: 5650-15	.X ±.02 .XX ±.01 .XXX ±.005 .XXXX ±.0002 .XXXXX ±.0001 .XXXXXX ±.00005	REF. COVER NO.: 410 S.S. HDN	ANG. TOL. ±2°	CHECKED BY:	DATE:	PRECISION CO., INC.	
THICKNESS: NOTED	DRAWING IN ACCORDANCE WITH ANSI Y14.5M.	REF. PART NO.:	REF.:	ENGR. APPROVAL:	DATE:	1050 W. BIRCHWOOD PH. (480) 834-4637 MESA, ARIZONA 85210-8491 FAX (480) 964-8237	
FRAME DIMS:		N.H.A.:	REV.:	REF. PART NO.:	REV.:	TITLE: FILM FRAME	
PACKAGE DIMS:		CUSTOMER/REF. NO.:		TOOL/DRAWING NO.: AP-16970-50		REV.: E	
	THIRD ANGLE PROJECTION	PLOT DATE: 06/16/00		SIZE: B	SCALE: NTS	SHEET: 1	OF: 1