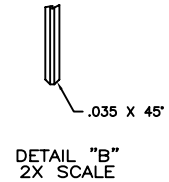
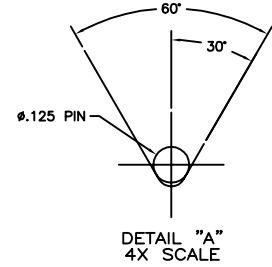
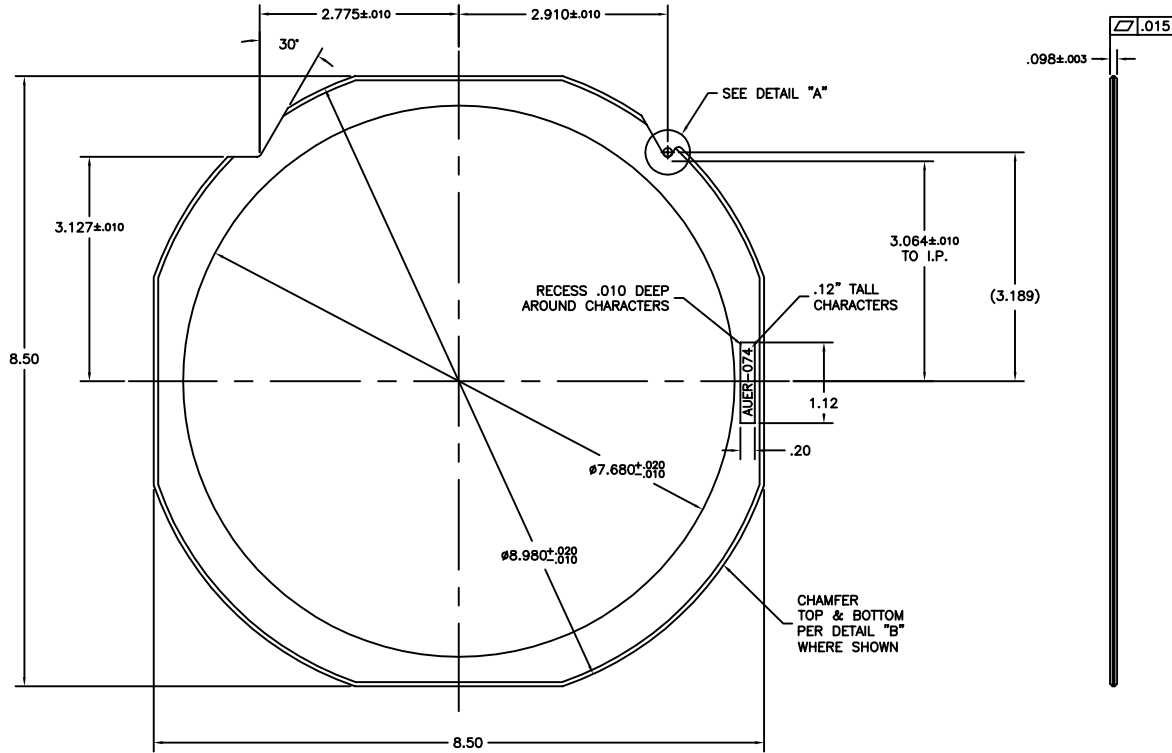


REV.	DESCRIPTION	BY	CHKD.	DATE
A	INITIAL RELEASE	EC		10/30/98
B	REVISED PER ECR-1239	DD	TDS	01/13/04



**CONTROLLED COPY**  
 IF THIS IS IN RED  
 Auer Precision  
 1/14/2004

SPECIFICATIONS		TOLERANCES (INCHES) UNLESS OTHERWISE SPECIFIED.		DRAWN BY:	DATE:	<b>AUER</b> PRECISION CO., INC. 1050 W. BIRCHWOOD MESA, ARIZONA 85210-8491 PH. (480) 834-4637 FAX (480) 984-8237
REF. CARRIER/MAGAZINE NO.:	.X .JX .JXX	±.02 ±.01 ±.005	EC	10/30/98		
REF. COVER NO.:	.JXXX .JXXXX .JXXXXX	±.002 ±.001 ±.00005	JJR	11/02/98		
MATERIAL:	PLASTIC		ENGR. APPROVAL:	DATE:		
THICKNESS:	SEE PRINT	ANG. TOL. ±2°	JJR	11/02/98		
FRAME DIMS:		DRAWING IN ACCORDANCE WITH ANSI Y14.5M	REF. PART NO.:	REV.:		
PACKAGE DIMS:			N.H.A.:	REV.:		
			CUSTOMER/REF. NO.:			
			PLOT DATE:	01/13/04		
			TITLE:	FILM FRAME, 6" PLASTIC		
			TOOL/DRAWING NO.:	AP-16970-074		
			REV.:	B		
			SIZE:	B		
			SCALE:	NTS		
			SHEET:	1		
			OF:	1		

**CONFIDENTIAL**  
 THIS DRAWING AND ALL INFORMATION HEREIN IS THE EXCLUSIVE AND CONFIDENTIAL PROPERTY OF AUER PRECISION COMPANY. THIS DRAWING IS FURNISHED IN AGREEMENT THAT IT OR ANY PART THEREOF WILL NOT BE REPRODUCED IN ANY MANNER OR DISCLOSED TO OTHERS WITHOUT THE EXPRESS WRITTEN CONSENT OF AUER PRECISION COMPANY. ALL PATENT RIGHTS RESERVED.