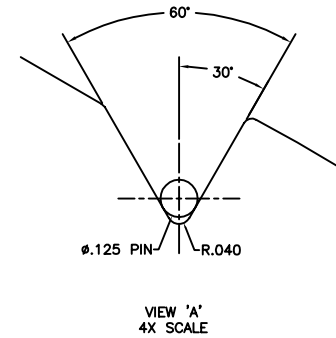
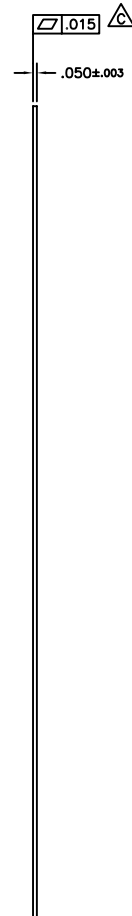
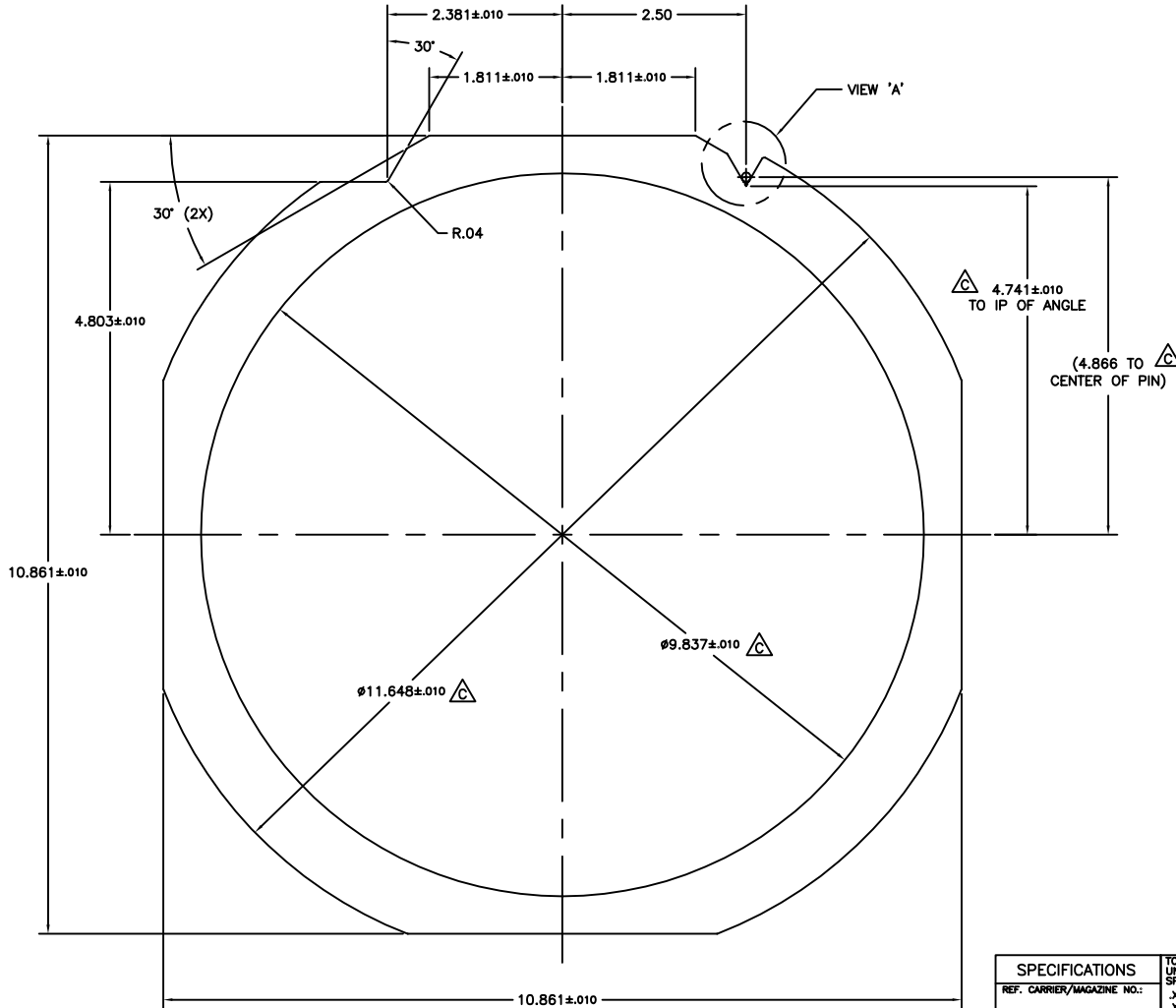


| REV. | DESCRIPTION | BY | CHKD. | DATE |
|------|---|-----|-------|----------|
| A | INITIAL RELEASE | JSS | | 09/23/94 |
| B | REDRAWN & TOLERANCES REVISED PER ECR #347 | TS | AMW | 10/17/00 |
| C | REVISED DIMS PER CR #963 | DD | TDS | 06/27/02 |



CONTROLLED COPY
 IF THIS IS IN RED
 Auer Precision
 6/27/2002

| SPECIFICATIONS | | TOLERANCES (INCHES) UNLESS OTHERWISE SPECIFIED. | | DRAWN BY: JSS | | DATE: 09/23/94 | | AUER PRECISION CO., INC. | |
|----------------------------|---------|---|--|---|-----|----------------|--|------------------------------------|--|
| REF. CARRIER/MAGAZINE NO.: | .X | ±.02 | | CHECKED BY: | JSS | DATE: | | | |
| REF. COVER NO.: | .XXX | ±.01 | | ENGR. APPROVAL: | | DATE: | | TITLE: FILM FRAME | |
| MATERIAL: | .XXXX | ±.005 | | REF. PART NO.: | | REV.: | | | |
| THICKNESS: | .XXXXX | ±.0002 | | N.H.A.: | | REV.: | | TOOL/DRAWING NO.: | |
| FRAME DIMS: | .XXXXXX | ±.0001 | | DRAWING IN ACCORDANCE WITH ANSI Y14.5M. | | DRAWING NO.: | | | |
| PACKAGE DIMS: | .XXXXXX | ±.0005 | | THIRD ANGLE PROJECTION | | AP-16970-81 | | SIZE: B SCALE: NTS SHEET: 1 OF: 1 | |
| | | ANG. TOL. ±2 | | PLOT DATE: 06/27/02 | | | | | |

CONFIDENTIAL
 THIS DRAWING AND ALL INFORMATION HEREIN IS THE EXCLUSIVE AND CONFIDENTIAL PROPERTY OF AUER PRECISION COMPANY. THIS DRAWING IS FURNISHED IN AGREEMENT THAT IT OR ANY PART THEREOF WILL NOT BE REPRODUCED IN ANY MANNER OR DISCLOSED TO OTHERS WITHOUT THE EXPRESS WRITTEN CONSENT OF AUER PRECISION COMPANY. ALL PATENT RIGHTS RESERVED.

.03R UNSPECIFIED RADIUS