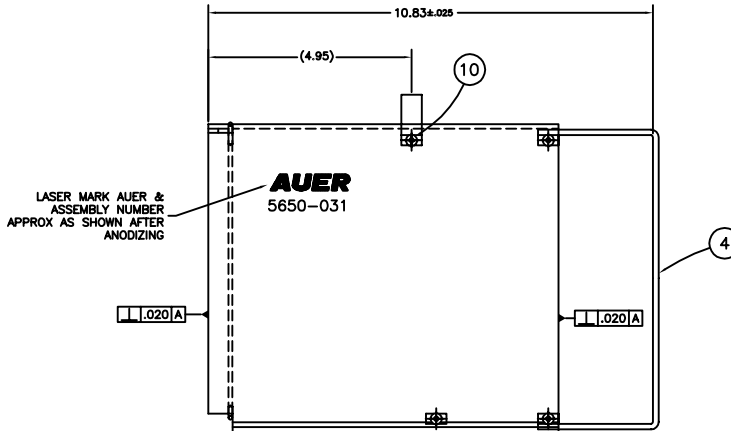
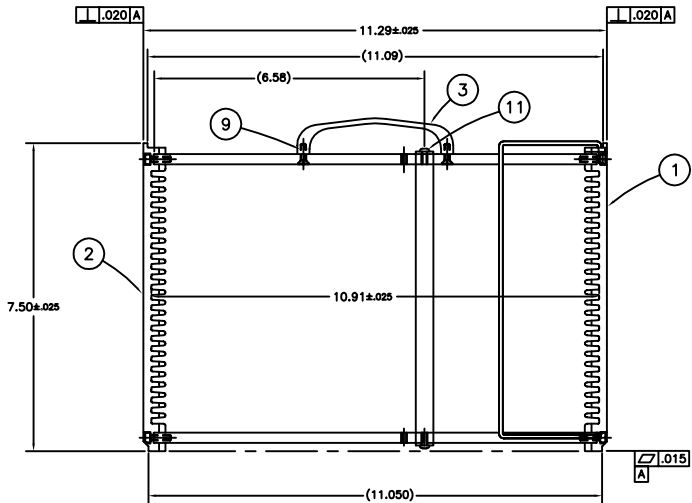
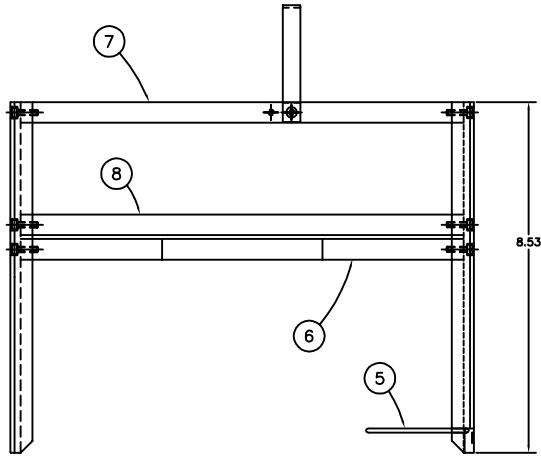


REV.	DESCRIPTION	BY	CHKD.	DATE
B	REDRAWN ON NEW FORMAT WITH NEW PART #'S	S.S.	DD	08/25/99
C	REDRAWN PER CR #862	DD	JWL	01/07/02

ITEM	ASSEMBLY #	PART #	QTY	DESCRIPTION	FINISH
	5650-031				
1		300-001106	1	RIGHT SIDE PLATE	BLACK ANODIZE, TYPE II, CLASS 2
2		300-001105	1	LEFT SIDE PLATE	BLACK ANODIZE, TYPE II, CLASS 2
3		000-000460	1	HANDLE	
4		300-001107	1	BACKSTOP BAR	BLACK ANODIZE, TYPE II, CLASS 2
5		300-001108	1	LOCKING BAR	
6		300-001104	1	TIE BAR (SHOWN ON 300-000503)	BLACK ANODIZE, TYPE II, CLASS 2
7		300-001103	1	TIE BAR (SHOWN ON 300-000503)	BLACK ANODIZE, TYPE II, CLASS 2
8		300-001102	1	TIE BAR (SHOWN ON 300-000503)	BLACK ANODIZE, TYPE II, CLASS 2
9		000-000386	2	FHCS - #8-32 X 3/8, BLACK ALLOY	
10		000-000461	8	SHCS - #6-32 x 1/2, BLACK ALLOY	
11		000-000493	2	SHCS - #6-32 X 1/4, BLACK ALLOY	



LASER MARK AUER &
ASSEMBLY NUMBER
APPROX AS SHOWN AFTER
ANODIZING

CONTROLLED COPY
IF THIS IS IN RED
Auer Precision
1/8/2002

CONFIDENTIAL

THIS DRAWING AND ALL INFORMATION HEREIN IS THE EXCLUSIVE AND CONFIDENTIAL PROPERTY OF AUER PRECISION COMPANY. THIS DRAWING IS FURNISHED IN AGREEMENT THAT IT OR ANY PART THEREOF WILL NOT BE REPRODUCED IN ANY MANNER OR DISCLOSED TO OTHERS WITHOUT THE EXPRESS WRITTEN CONSENT OF AUER PRECISION COMPANY. ALL PATENT RIGHTS RESERVED.

TOLERANCES (INCHES) UNLESS OTHERWISE SPECIFIED.	DRAWN BY: R.A.A.	DATE: 08/11/95	AUER PRECISION CO., INC. 1050 W. BIRCHWOOD PH. (480) 834-4637 MESA, ARIZONA 85210-8481 FAX (480) 964-8237
.X ±.02 .XX ±.01 .XXX ±.005 .XXXX ±.0002 .XXXXX ±.0001 .XXXXXX ±.00005 ANG. TOL ±2'	CHECKED BY:	DATE:	
DRAWING IN ACCORDANCE WITH ANSI Y14.5M.	ENGR. APPROVAL:	DATE:	TITLE: FILM FRAME MAGAZINE FOR AP16970-81 FILM FRAME
THIRD ANGLE PROJECTION	REF. PART NO.	REV.	TOOL/DRAWING NO.: 5650-031
	N.H.A.:	REV.	REV.: C
	CUSTOMER/REF. NO.:		SIZE: B SCALE: NTS SHEET: 1 OF 1
	PLOT DATE: 01/07/02		