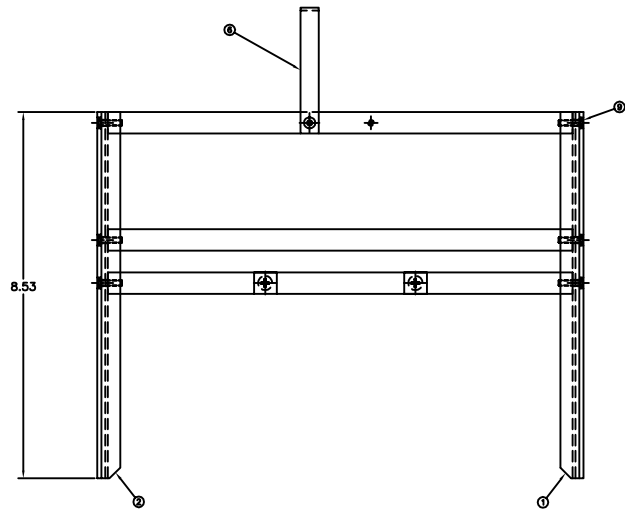
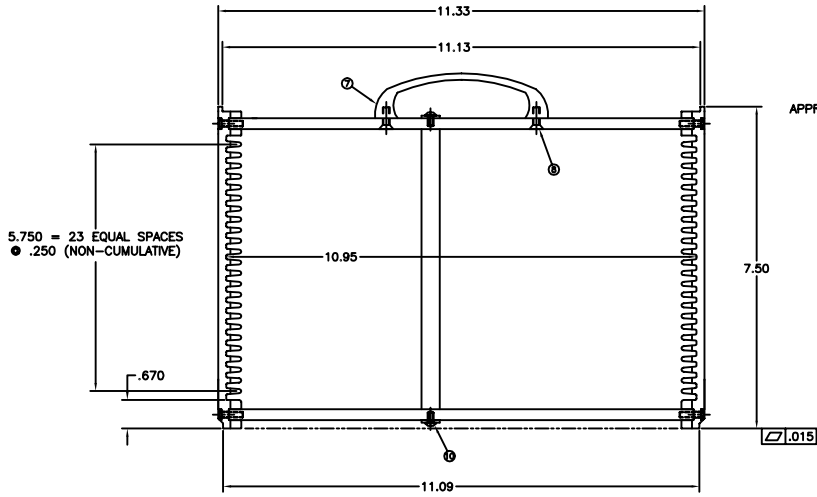


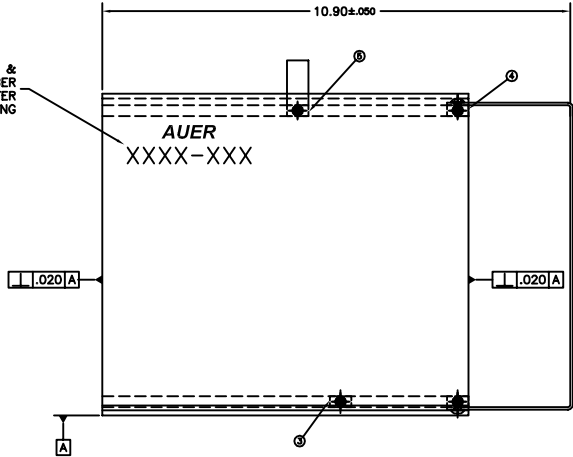
REV.	DESCRIPTION	BY	CHKD.	DATE
A	REMOVED LOCKING BAR	R.A.A		11/29/95
B	REDRAWN ON NEW FORMAT, COMPONENT #'s ISSUED	S.S.	AMW	06/19/00



ITEM	ASSEMBLY #	PART #	QTY	DESCRIPTION	FINISH
5650-032-LF					
1		109981-LF	1	MAGAZINE RH SIDE PLATE (SHOWN ON 109981)	LESS FINISH
2		109980-LF	1	MAGAZINE LH SIDE PLATE (SHOWN ON 109980)	LESS FINISH
3		109982-LF	1	TIE BAR (SHOWN ON 112507)	LESS FINISH
4		109983-LF	2	TIE BAR w/BACKSTOP BAR HOLES (SHOWN ON 112584)	LESS FINISH
5		111698-LF	1	TIE BAR w/HANDLE HOLES (SHOWN ON 112508)	LESS FINISH
6		112221-LF	1	BACKSTOP BAR (SHOWN ON 111589)	LESS FINISH
7		000-000460	1	MAGAZINE HANDLE	-
8		000-000386	2	FHCS - #8-32 x 3/8" LG	-
9		000-000461	8	SHCS - #6-32 x 1/2" LG, BLACK ALLOY	-
10		000-000493	2	BHCS - #6-32 x 1/4" LG, BLACK ALLOY	-
5650-032-BLK					
1		109981-BLK	1	MAGAZINE RH SIDE PLATE (SHOWN ON 109981)	BLACK ANODIZE, TYPE 2, CLASS 2
2		109980-BLK	1	MAGAZINE LH SIDE PLATE (SHOWN ON 109980)	BLACK ANODIZE, TYPE 2, CLASS 2
3		109982-BLK	1	TIE BAR (SHOWN ON 112507)	BLACK ANODIZE, TYPE 2, CLASS 2
4		109983-BLK	2	TIE BAR w/BACKSTOP BAR HOLES (SHOWN ON 112584)	BLACK ANODIZE, TYPE 2, CLASS 2
5		111698-BLK	1	TIE BAR w/HANDLE HOLES (SHOWN ON 112508)	BLACK ANODIZE, TYPE 2, CLASS 2
6		112221-BLK	1	BACKSTOP BAR (SHOWN ON 111589)	BLACK ANODIZE, TYPE 2, CLASS 2
7		000-000460	1	MAGAZINE HANDLE	-
8		000-000386	2	FHCS - #8-32 x 3/8" LG	-
9		000-000461	8	SHCS - #6-32 x 1/2" LG, BLACK ALLOY	-
10		000-000493	2	BHCS - #6-32 x 1/4" LG, BLACK ALLOY	-



LASER MARK AUER & ASSEMBLY NUMBER APPROX AS SHOWN AFTER ANODIZING



CONTROLLED COPY
 AMW IF THIS IS IN RED
 06/19/00

CONFIDENTIAL
 THIS DRAWING AND ALL INFORMATION HEREIN IS THE EXCLUSIVE AND CONFIDENTIAL PROPERTY OF AUER PRECISION COMPANY. THIS DRAWING IS FURNISHED IN AGREEMENT THAT IT OR ANY PART THEREOF WILL NOT BE REPRODUCED IN ANY MANNER OR DISCLOSED TO OTHERS WITHOUT THE EXPRESS WRITTEN CONSENT OF AUER PRECISION COMPANY. ALL PATENT RIGHTS RESERVED.

TOLERANCES (INCHES) UNLESS OTHERWISE SPECIFIED. .X ±.02 .XX ±.01 .XXX ±.005 .XXXX ±.0002 .XXXXX ±.0001 .XXXXXX ±.00005 ANG. TOL ±2' DRAWING IN ACCORDANCE WITH ANSI Y14.5M.	DRAWN BY: R.A.A.	DATE: 10/12/95	AUER PRECISION CO., INC. 1050 W. BIRCHWOOD MESA, ARIZONA 85210-8491 PH. (480) 834-4637 FAX (480) 964-8237
	CHECKED BY:	DATE:	
	ENGR. APPROVAL:	DATE:	TOOL/DRAWING NO.: 5650-032
	REF. PART NO.	REV.:	REV.: B
	N.H.A.:	REV.:	
	CUSTOMER/REF. NO.:		SIZE: B SCALE: NTS SHEET: 1 OF: 1
	PLOT DATE:		

