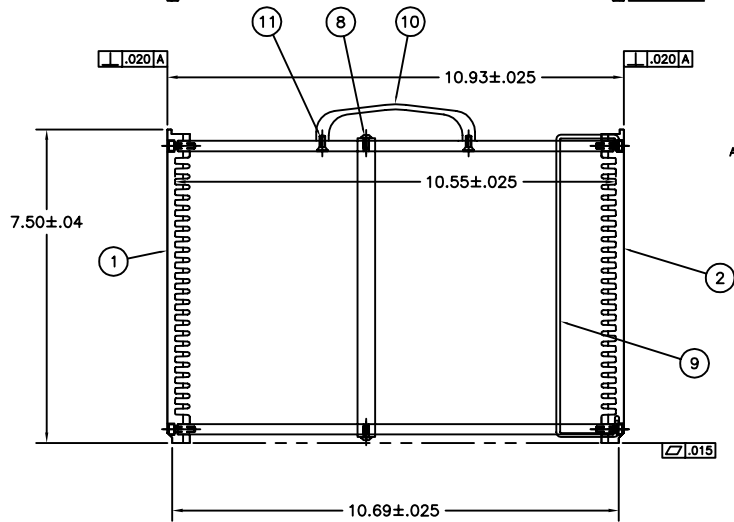
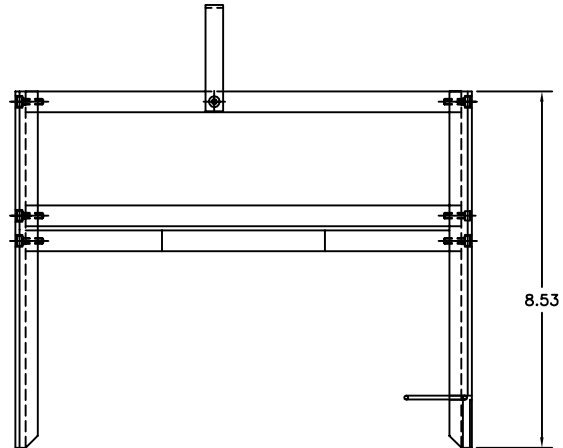
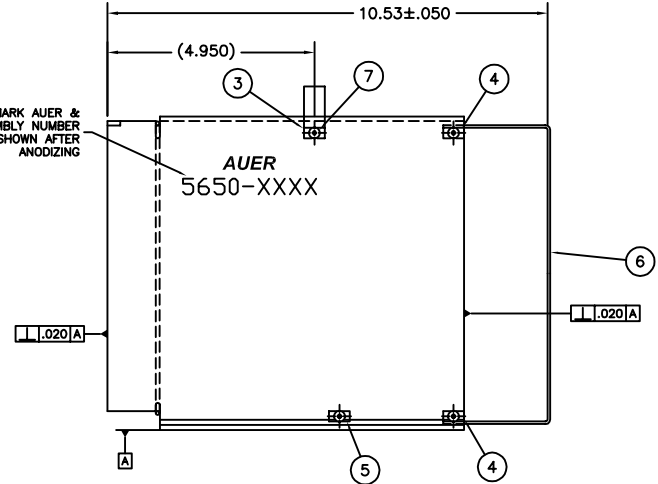


REV.	DESCRIPTION	BY	CHKD.	DATE
A	REVISED FOR 180° ROTATION	J.W.L.	DD	02/27/92
B	REDRAWN ON AUTOCAD/NEW PART # SYSTEM	JDM	DD	08/24/99
C	UPDATE TOLERANCES	CDS	AMV	01/11/01
D	UPDATED TO CURRENT MAGAZINE STANDARDS PER CR 739	AMV	AMV	09/20/01
E	ADDED 5650-19-BLU	DD	TDS	12/9/2003

ITEM	ASM #	LEVEL 1 PART #	LEVEL 2 PART #	QTY	DESCRIPTION	FINISH
	5650-19					
		5650-19-P		1	MAGAZINE SUB ASSEMBLY	BLACK ANODIZE, TYPE II, CLASS 2
1			300-000500	1	LEFT SIDE PLATE	BLACK ANODIZE, TYPE II, CLASS 2
2			300-000469	1	RIGHT SIDE PLATE	BLACK ANODIZE, TYPE II, CLASS 2
3			300-000473	1	TIE BAR w/HANDLE HOLES (SHOWN ON 112508)	BLACK ANODIZE, TYPE II, CLASS 2
4			300-000501	2	TIE BAR w/BACKSTOP BAR HOLES (SHOWN ON 112584)	BLACK ANODIZE, TYPE II, CLASS 2
5			300-000502	1	TIE BAR (SHOWN ON 112507)	BLACK ANODIZE, TYPE II, CLASS 2
6			300-000474	1	BACKSTOP BAR (SHOWN ON 111589)	BLACK ANODIZE, TYPE II, CLASS 2
7		000-000481	000-000481	8	SHCS - #8-32 x 1/2" LG, BLACK ALLOY	
8		000-000483	000-000483	2	BHCS - #8-32 x 1/4" LONG, BLACK, ALLOY	
9		000-000480		1	MAGAZINE HANDLE	
10		000-000386		2	FHCS - #8-32x 3/8" LONG	
11		300-000475		1	LOCKING BAR (SHOWN ON 106366)	
	5650-19-BLU					
		5650-19-P-BLU		1	MAGAZINE SUB ASSEMBLY	BLUE ANODIZE, TYPE III, CLASS 2
1			127077	1	LEFT SIDE PLATE	BLUE ANODIZE, TYPE III, CLASS 2
2			127078	1	RIGHT SIDE PLATE	BLUE ANODIZE, TYPE III, CLASS 2
3			127079	1	TIE BAR w/HANDLE HOLES (SHOWN ON 112508)	BLUE ANODIZE, TYPE III, CLASS 2
4			127080	2	TIE BAR w/BACKSTOP BAR HOLES (SHOWN ON 112584)	BLUE ANODIZE, TYPE III, CLASS 2
5			127081	1	TIE BAR (SHOWN ON 112507)	BLUE ANODIZE, TYPE III, CLASS 2
6			127082	1	BACKSTOP BAR (SHOWN ON 111589)	BLUE ANODIZE, TYPE III, CLASS 2
7		000-000481	000-000481	8	SHCS - #8-32 x 1/2" LG, BLACK ALLOY	
8		000-000483	000-000483	2	BHCS - #8-32 x 1/4" LONG, BLACK, ALLOY	
9		000-000480		1	MAGAZINE HANDLE	
10		000-000386		2	FHCS - #8-32x 3/8" LONG	
11		300-000475		1	LOCKING BAR (SHOWN ON 106366)	



LASER MARK AUER & ASSEMBLY NUMBER APPROX AS SHOWN AFTER ANODIZING



CONTROLLED COPY
IF THIS IS IN RED
Auer Precision
12/10/2003

CONFIDENTIAL
THIS DRAWING AND ALL INFORMATION HEREIN IS THE EXCLUSIVE AND CONFIDENTIAL PROPERTY OF AUER PRECISION COMPANY. THIS DRAWING IS FURNISHED IN AGREEMENT THAT IT OR ANY PART THEREOF WILL NOT BE REPRODUCED IN ANY MANNER OR DISCLOSED TO OTHERS WITHOUT THE EXPRESS WRITTEN CONSENT OF AUER PRECISION COMPANY. ALL PATENT RIGHTS RESERVED.

TOLERANCES (INCHES) UNLESS OTHERWISE SPECIFIED. X ±.02 JXX ±.01 JXXX ±.005 JXXXX ±.002 JXXXXX ±.0001 JXXXXXX ±.00005 ANG. TOL. ±2° DRAWING IN ACCORDANCE WITH ANSI Y14.5M	DRAWN BY: JDM DATE: 08/09/99	AUER PRECISION CO., INC. 1050 W. BIRCHWOOD MESA, ARIZONA 85210-8491 PH: (480) 834-4837 FAX: (480) 964-8237 TITLE: FILM FRAME MAGAZINE FOR AP16970-60 FILM FRAME REF. PART NO: AP16970-60 N.H.A.:	TOTAL/DRAWING NO.: 5650-19 REV.: E
	CHECKED BY: ENGR. APPROVAL:		DATE: DATE:
	REF. PART NO: AP16970-60 N.H.A.:		REV.: REV.:
	CUSTOMER/REF. NO.: PLOT DATE: 12/09/03		SIZE: B SCALE: NTS SHEET: 1 OF 1